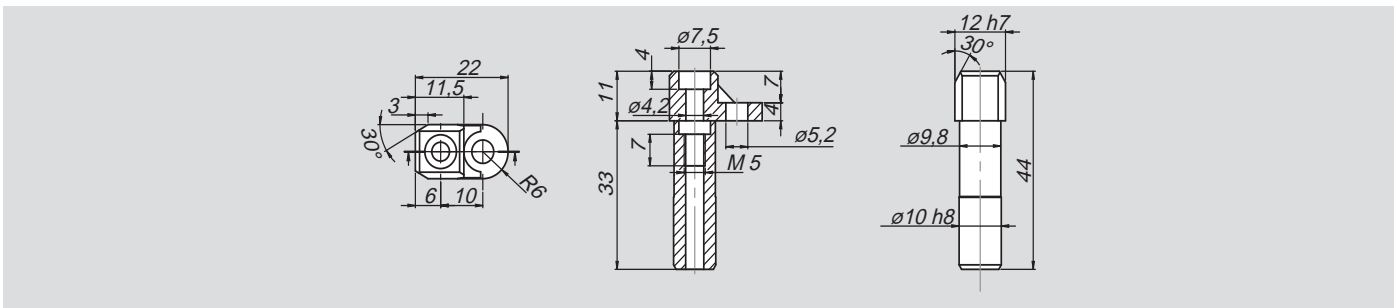


Protection cover



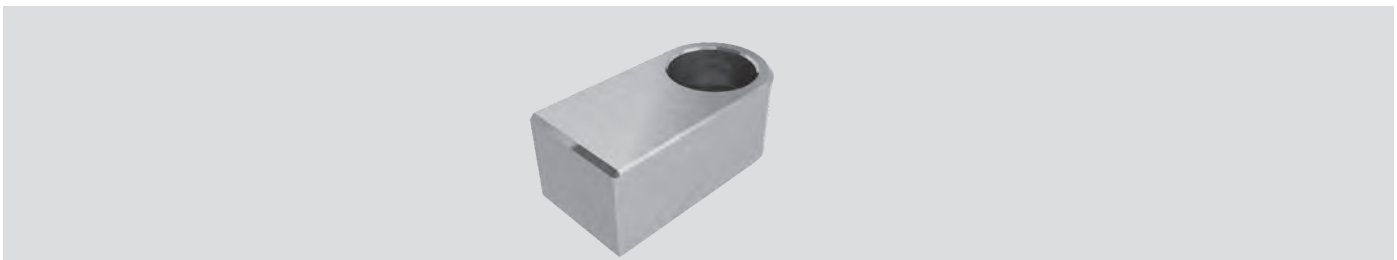
Type	Id. No.
APS 100	460030
APS 140	460031

Pin for orientation (single use)



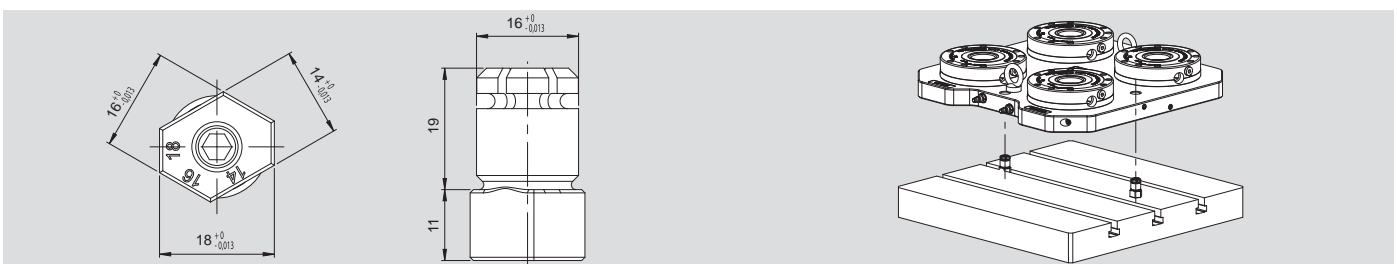
Type	Id. No.
APS 100	460032

Key for orientation (single use)



Type	Id. No.
APS 140 (f7)	460034
APS 140 (h7)	460035

Multi-Slot screw for the positioning of clamping units



Type	Id. No.
Multi-Slot 14/16/18	71290182