

APS 140-E

Zero Point Clamping Module

PREMIUM

- 3 Clamping slides
- Turbo function



Application/customer benefits

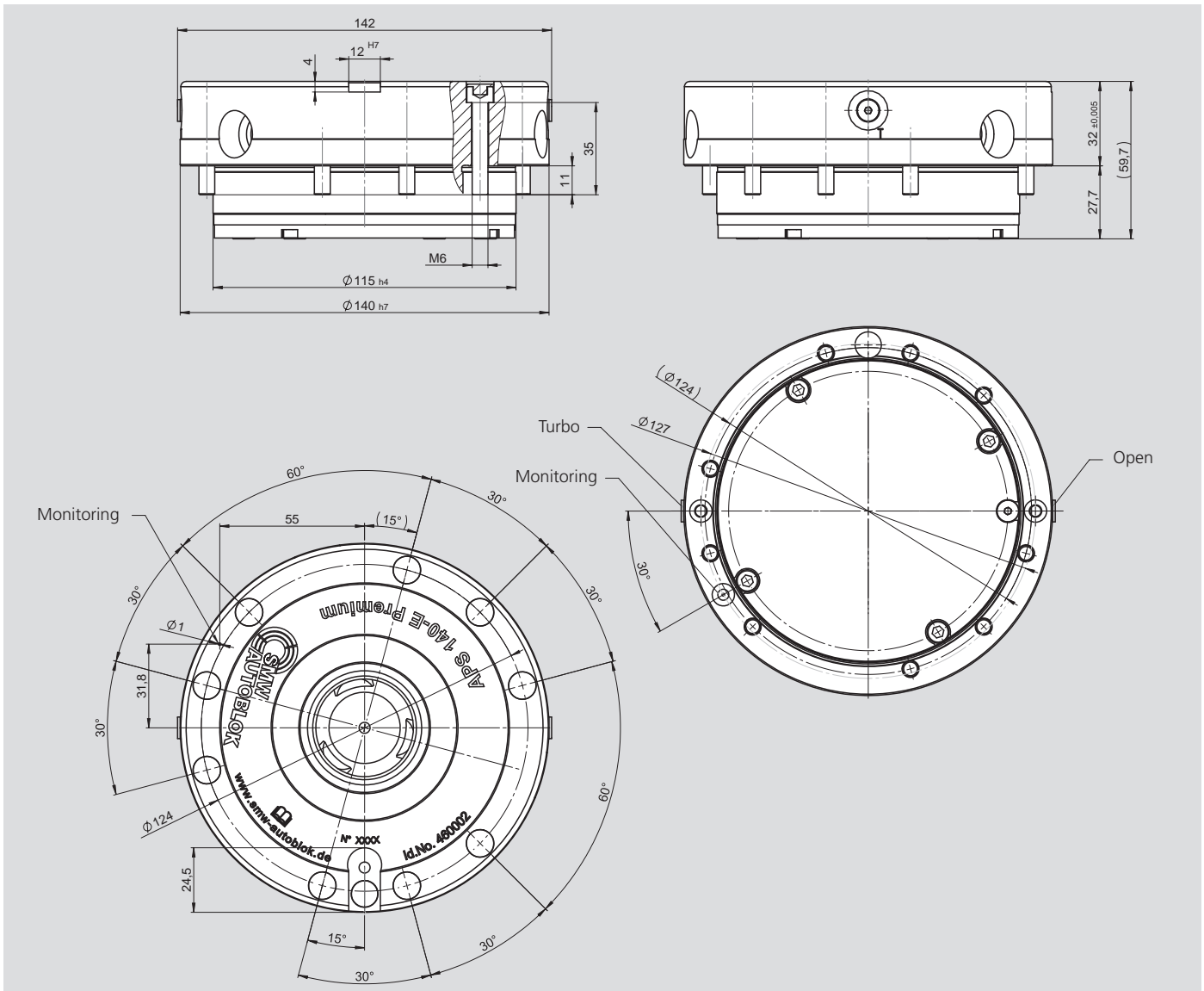
- Reduced set-up times
- Highest process reliability and repeat accuracy
- Wear-resistant and rust protected due to an extra hard protective coating
- Low maintenance
- Low installation height due to the compact design

Technical features

- 3 clamping slides
- Repeatability < 0.005 mm
- Protective coating
- Turbo function for increasing the pull-in forces (pull-in force without Turbo 7.5 kN)
- Anti rotating protection
- Monitoring via air control
- Air cleaning
- Fully sealed (proofline)

Standard equipment

Zero Point Clamping Module with mounting screws



Order review

Type	Id. No.	Pull-in force with Turbo	Holding force M10/M12/M16	Unlocking pressure	Repeatability	Weight
APS 140-E PREMIUM	460002	26 kN	35/50/75 kN	6 bar	< 0.005 mm	4.5 kg